

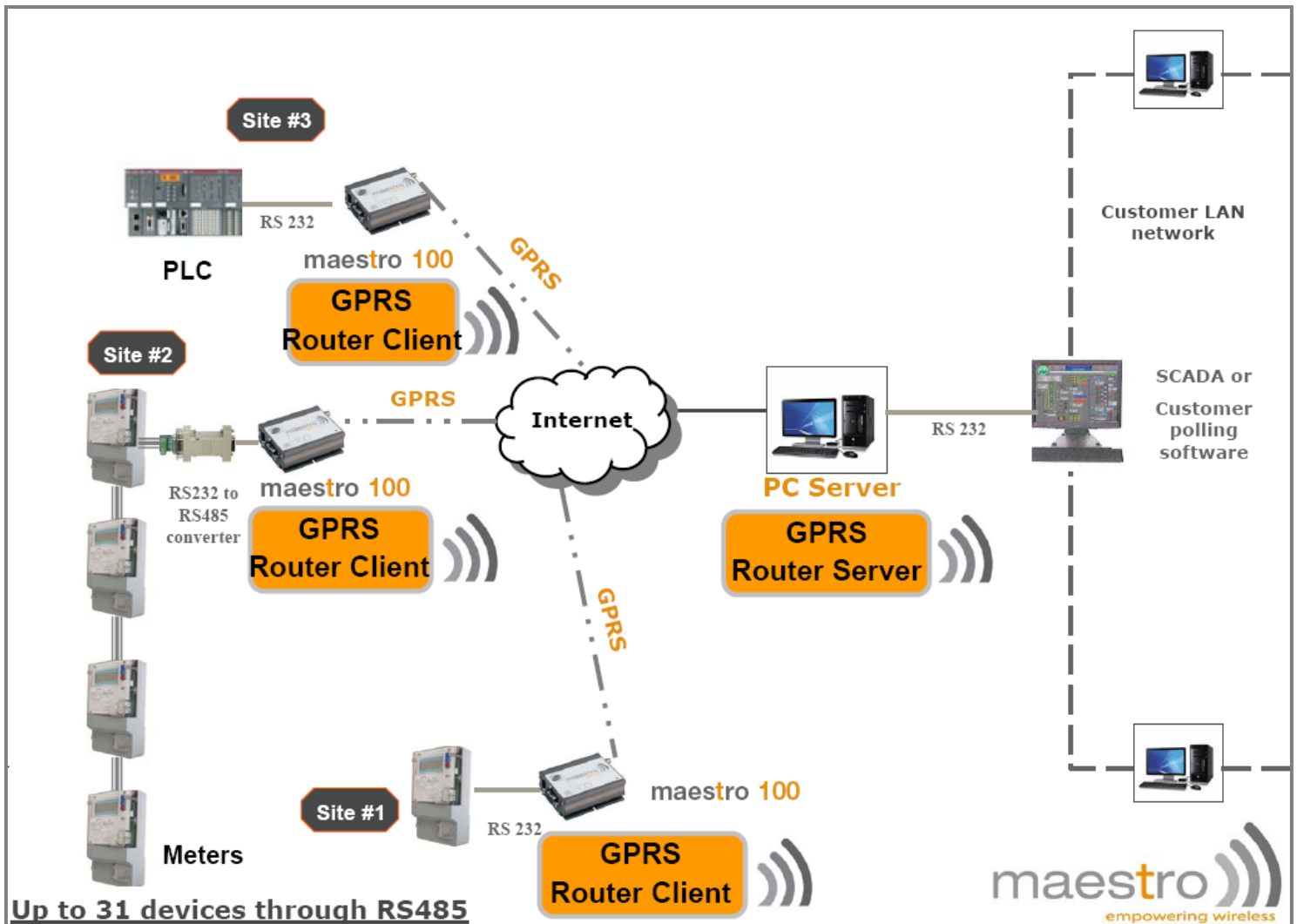


**OVERVIEW:**

**MAESTRO GPRS ROUTER** is an open and user friendly solution developed specifically for the monitoring, control and data acquisition of unattended facilities through the use of popular GPRS wireless technology.

This solution consists of a firmware at remote sites (embedded in Maestro modems) and a software at the host site (user's server). This innovative solution allows telemetry data to be **wirelessly** and **transparently** transferred over a **GPRS network** without requiring equipment manufacturers or software providers to make change to their products.

Maestro **GPRS ROUTER** is a **simple, innovative and easy to use** solution which can be implemented on numerous SCADA protocols such as Modbus, DNP 3.0, HART, ION and IEC.





## FEATURES:

### ■ TRANSPARENT DATA TRANSMISSION

### ■ NO PROTOCOL LIMITATION

### ■ AES 128 bits encryption

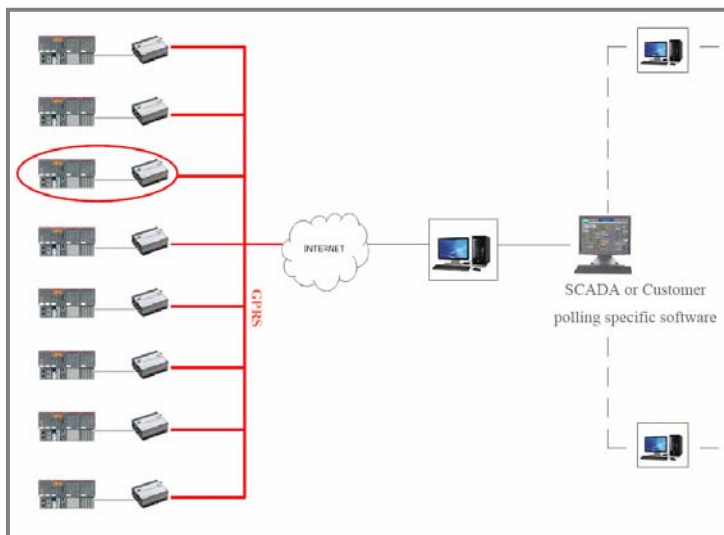
As an industry **encryption standard**, it is currently being deployed on a large scale.

The **data** are **encrypted** by the client modem and then **decrypt** by the server before being send to the customer software. AES encryption is probably **the best way actually to secure your data flow**.

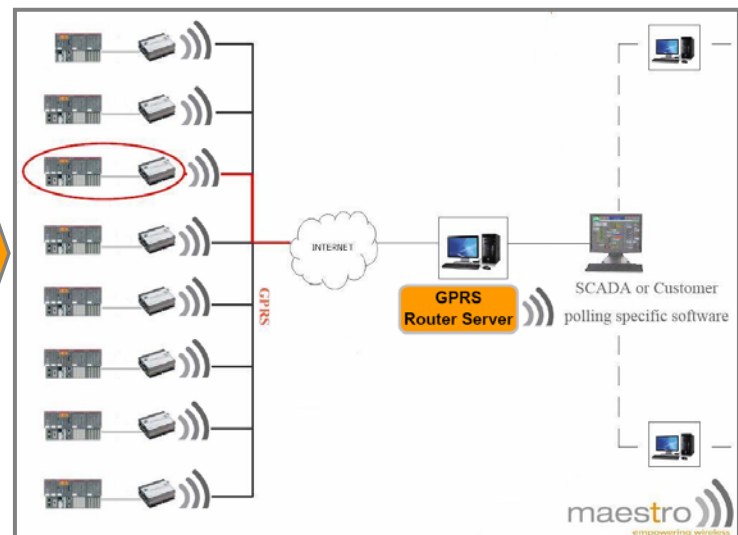
### ■ Optimized Data Traffic:

When a request is asked by the server, basic system send the request to the whole devices connected to the network and wait for a reply from concerned one. This generates unnecessary traffic and tremendously slow down the answering time from the device to the server.

**The maestro routing feature is able to select only the device concerned by the request.** Indeed an ID is set to each modem, allowing an individual and straight communication with the concerned device in dual way.



Basic system



maestro solution

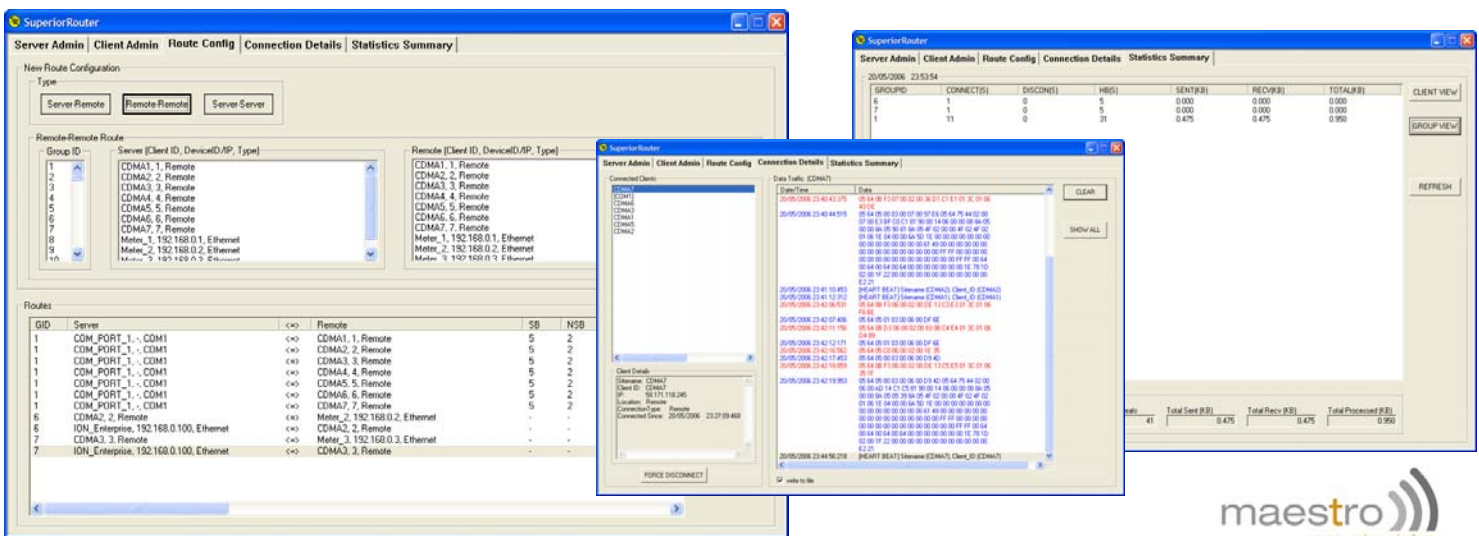


■ **GPRS connection made easy!**

- No need of fixed IP on the remote sites, the Maestro modems initiate the connection to the fixed IP server.
- On line connection always maintained. Maestro modems are empowered to constantly detect the network connection status and to re-attached automatically if necessary.

■ **Routing Management :**

The **GPRS Router Server software**, installed in the customer's server, records the history of transmitted data for all modems which are tagged with an ID. User-friendly with a Graphical User Interface for site configuration, diagnostics and statistical data.



**ADVANTAGES AND BENEFITS:**

- **SECURITY** in communication thanks to AES 128 encryption
- **TIME SAVING** thanks to GPRS and optimized data traffic
- **Operating cost based of data transferred** instead of time connected
- **Multi-protocol** and completely transparent
- **Maestro GPRS Router Server** program can be connected to the SCADA server via **Virtual Com Port**.
- **“Always-on”** connectivity provides real-time communication
- **Compatible** with existing equipment, protocols and infrastructures